

## JD8袋式过滤器（多袋）（侧进侧出）

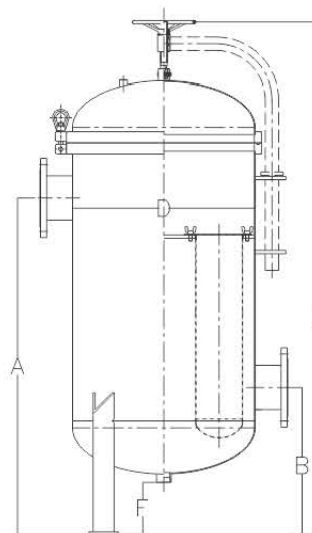
JD8- Bag Filter Housing(Multi Bag) (Side in side out)



### 参数概述/General Specifications

- 1、材质SUS304, SUS316L;
- 2、最大工作压力150Psi;
- 3、侧进侧出，普通法兰、快装法兰、摇臂;
- 4、表面抛光处理或亚光处理;

- 1、Material:SUS304,SUS316L;
- 2、Max working pressure 150Psi;
- 3、Side in side out,Flange, Quickly Flange,davit arm;
- 4、Polished or sandblast external surface.



### 尺寸/Dimension

型号/Model	A (mm)	B (mm)	C (mm)	D (mm)	F (mm)	Inlet/Outlet	Drain
JD8-Φ400x2	1020	355	1345	Φ400	125	3"	3/4"
JD8-Φ450x3	1030	370	1370	Φ450	125	3"	3/4"
JD8-Φ550x4	1070	390	1420	Φ550	125	4"	3/4"
JD8-Φ650x6	1100	450	1570	Φ650	125	6"	3/4"
JD8-Φ750x8	1150	515	1655	Φ750	140	8"	3/4"
JD8-Φ850x10	1180	550	1705	Φ850	140	8"	3/4"
JD8-Φ950x12	1200	570	1745	Φ950	140	8"	3/4"